

KEY FEATURES:

DIGI-LEVEL is a revolutionary new monitoring system. All water level sensing is done at the tank. The Tank Module contains integrated circuits which send a digital signal through the water. The Tank Module then communicates the level information to the Monitor Panel. Just two wires are required for both power and communication.

The **DIGI-LEVEL** also has a universal Generator control, which will integrate with most gas and diesel generators. The Hour Meter displays while pressing the Check switch or while the generator is running.

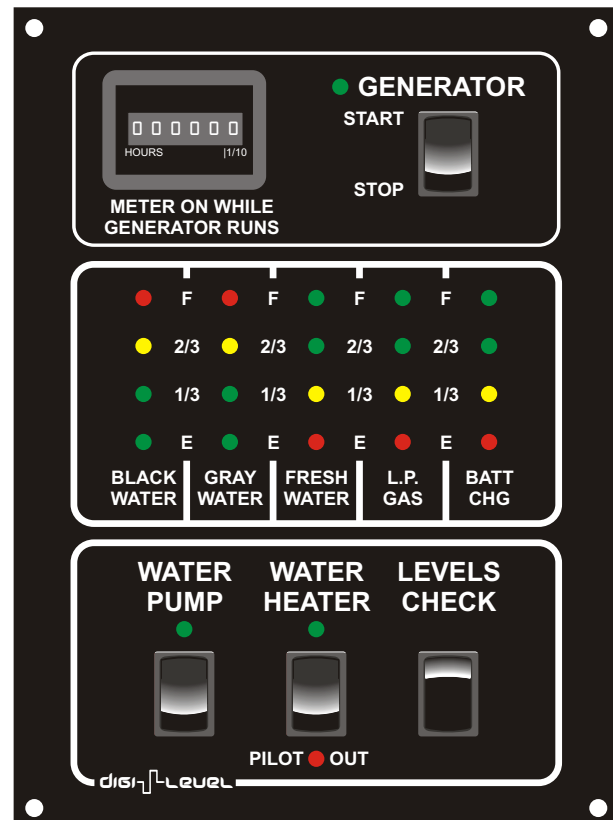
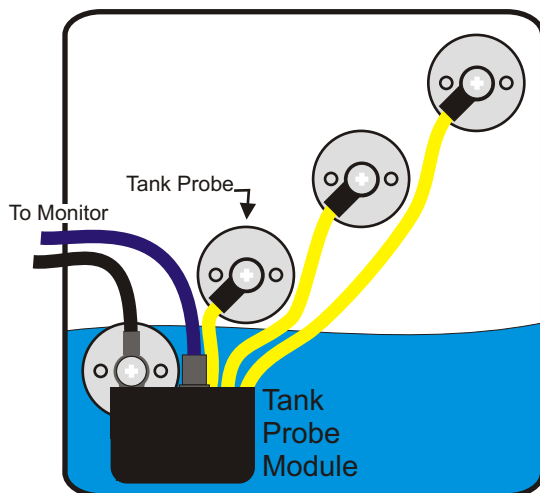
The system uses a printed circuit board, and is completely connectorized. This assures consistency of performance and ease of installation.

- Improved Reliability
- Increased Accuracy
- Available Diagnostic Equipment
- All Connectorized

- All Sensing Done at Tank
- Transmits Digital Signal into Water
- Tank Module Communicates to Panel
- Reduces Probe Corrosion
- Simplifies wiring

- Universal Generator Control
- Hour Meter on with Check Switch

- Available Companion Switch



DIGI-LEVEL CENTRAL MONITOR PANEL

Probes Evolving to a Higher Level

Operation:

DIGI-LEVEL senses the Water Level right at the Tank. The Tank Module is a fully sealed module which houses the level sensing electronic integrated circuitry. The Tank Module mounts directly on the lowest probe via the module ring terminal. The Monitor Panel ground wire attaches to the same probe. The 1/4" quick connect is for the Monitor Panel Power/Signal wire. The three yellow wires connect to any of the three probe levels. Rather than using the water as an electrical switch, the **DIGI-LEVEL** sends a digital signal into the water. This technology not only enhances the level sensing,

but also eliminates the DC current which promotes probe corrosion and premature probe failure. The Tank Module communicates the tank level to the Monitor Panel on the power wire requiring only two wires from each tank to the Monitor Panel. The Monitor Panel also displays the level of LP and Battery Voltage. All the wiring is self protected, and will not be damaged if mis-wired.

The Generator has a universal connector which will operate most Gas and Diesel Generators including pre-heat. It is not necessary to run the Generator to view the Hour Meter. The Hour Meter display turns on when the Levels Check switch is pressed. The Hour Meter display turns on and the clock is ticking, when the generator is running.

Specifications:

Part Numbers: 00-10010-000 DIGI-LEVEL MONITOR PANEL WITH WATER HEATER SWITCH
 00-10010-100 DIGI-LEVEL MONITOR PANEL WITHOUT WATER HEATER SWITCH
 00-10011-000 DIGI-LEVEL TANK MODULE

J1 Connector 1-480700-0 Amp Universal Mate-N-Lok Plug 3 Position
 Pin-1 Water Pump Remote Switch Leg 1; No Connect when no Remote
 Pin-2 To Water Pump
 Pin-3 Water Pump Remote Switch Leg 2; Power when no Remote

J2 Connector 39-01-2120 Molex Mini-Fit Jr. Connector 12 Circuit Receptacle Housing
 Pin-1 LP Tank Signal Pin-7 Fresh Water Tank Signal
 Pin-2 LP Tank Ground Pin-8 Fresh Water Tank Ground
 Pin-3 Gray Water Tank Ground Pin-9 Gray Water Tank Signal
 Pin-4 Water Heater Pilot Out Indicator Pin-10 Panel Ground
 Pin-5 Black Water Tank Ground Pin-11 Black Water Tank Signal
 Pin-6 Battery Panel Power Pin-12 Water Heater Switched Power

JP1 Connector 39-01-2080 Molex Mini-Fit Jr. Connector 8 Circuit Receptacle Housing
 For Different Gen-Set Wiring See Wiring Diagram

Environment: Indoor, Out of direct weather
 Dimensions: 6-1/4" wide, 8-1/2" high, 1-1/2" deep
 Panel Cutout 5-1/2" wide, 7-3/4" high (centered);
 Mounting Holes 3/16" diameter, 3/16" in from four corners.

	Minimum	Typical	Maximum
Volts DC	9.0VDC	12.0VDC	16.0VDC
Water Pump Switch			15.0 Amps
Water Heater Switch			10.0 Amps
Generator Switch			5.0 Amps
Ambient Temperature	-40°C		+85°C