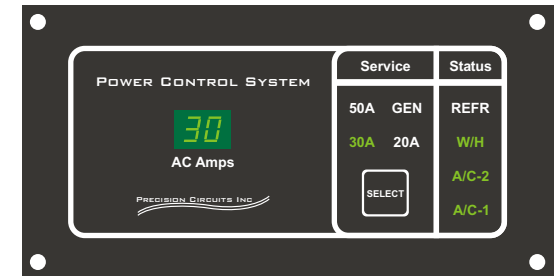
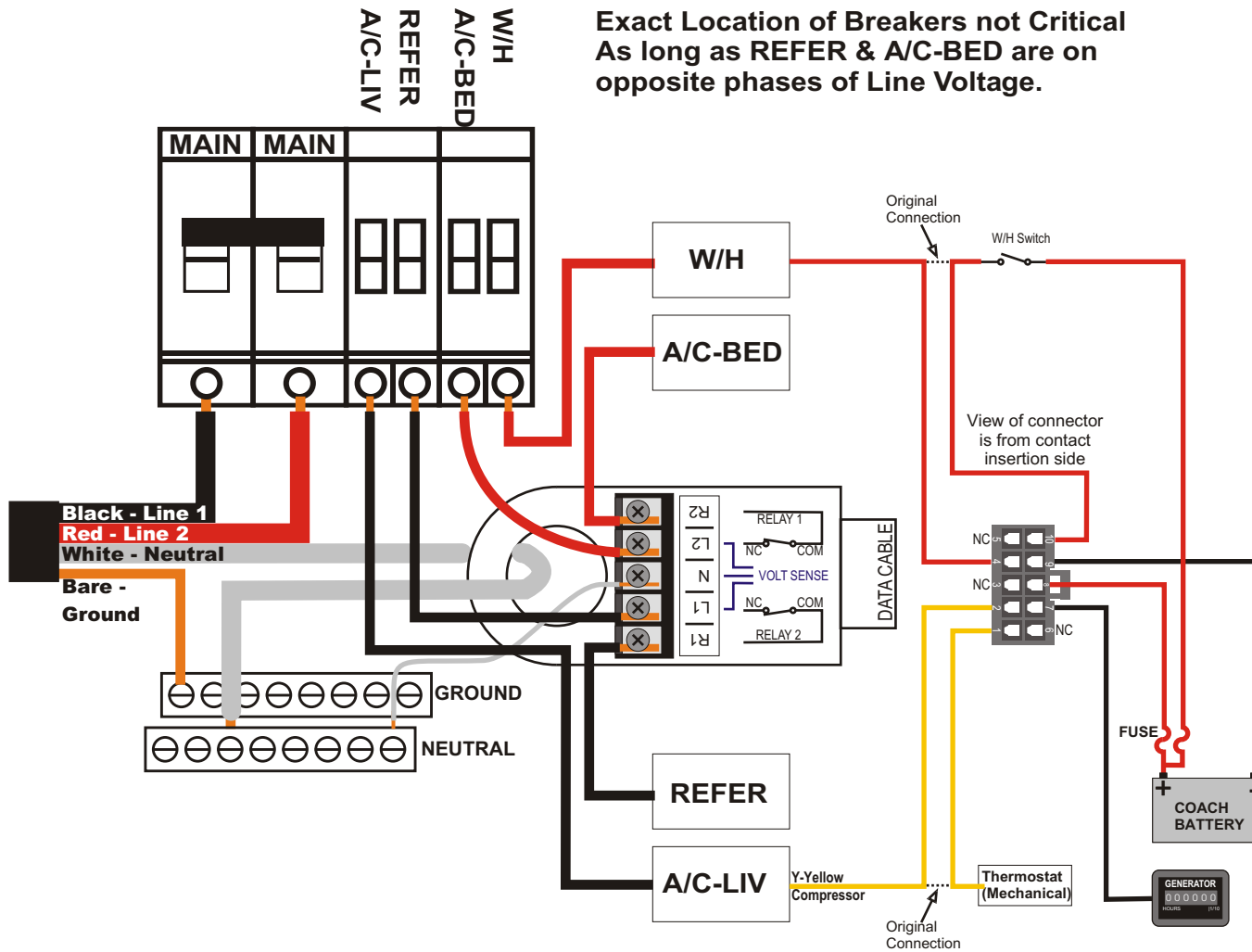


MINI POWER CONTROL SYSTEM



DUTCHMEN WIRING DIAGRAM 5-21-09

Exact Location of Breakers not Critical
As long as REFER & A/C-BED are on
opposite phases of Line Voltage.



Program Options:
Relay Shed Order:
 1-REFER
 4-W/H
 2-A/C-2 (Bed)
 3-A/C-1 (Living)
 50A Service = Sleep Mode
 Generator = Amp Display Only