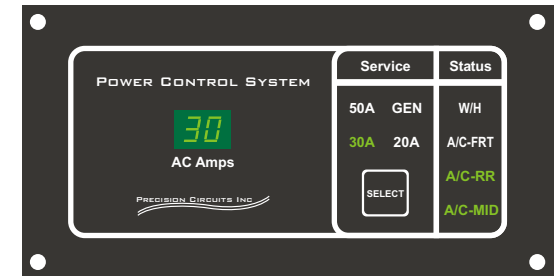
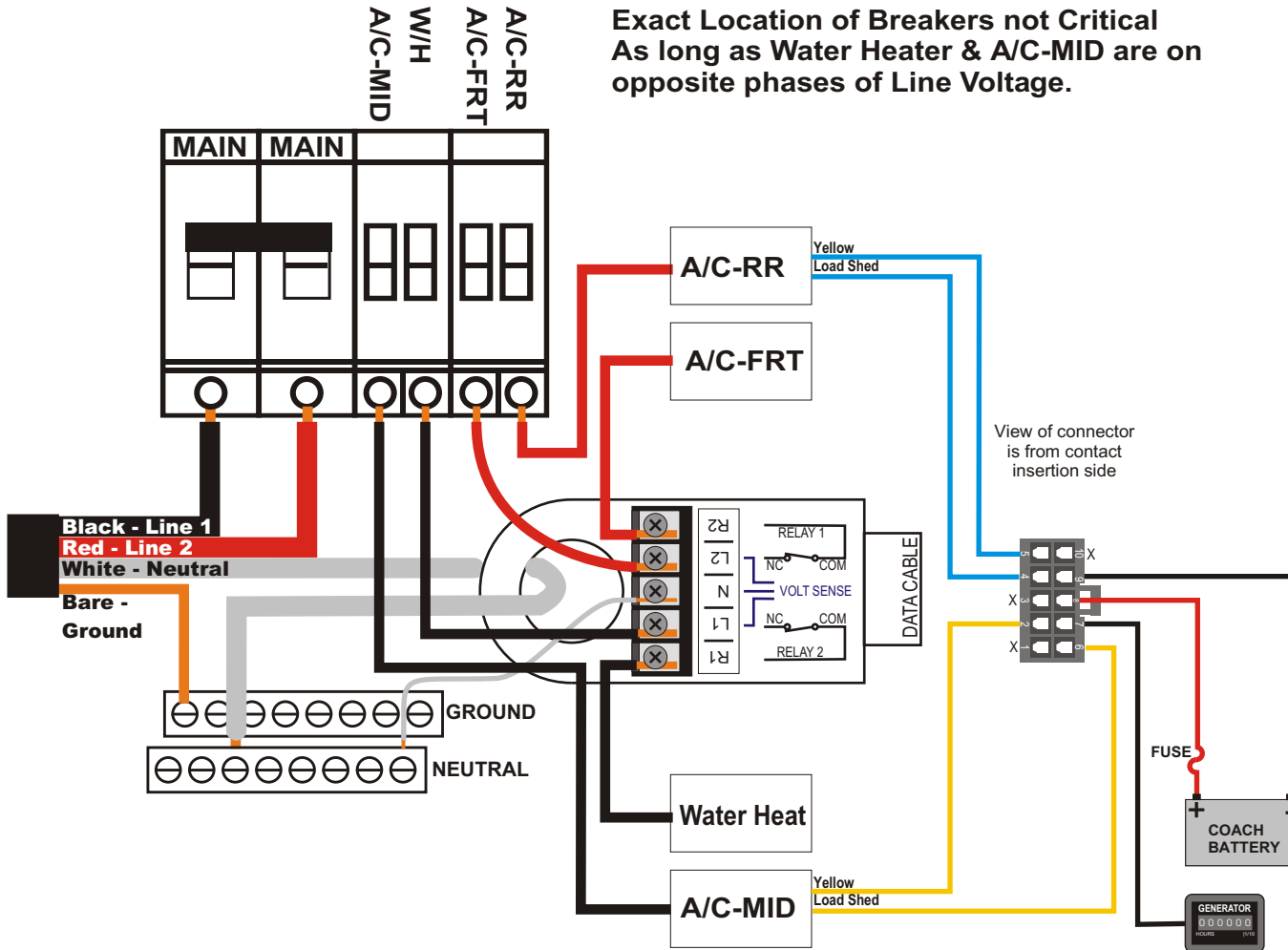


MINI POWER CONTROL SYSTEM



DUTCHMEN WIRING DIAGRAM 05-10-2012

Exact Location of Breakers not Critical
As long as Water Heater & A/C-MID are on
opposite phases of Line Voltage.



Program Options:
Relay Shed Order:
 1-W/H
 2-A/C-FRT
 4-A/C-RR
 3-A/C-MID
 50A Service = Sleep Mode
 Generator = Amp Display Only