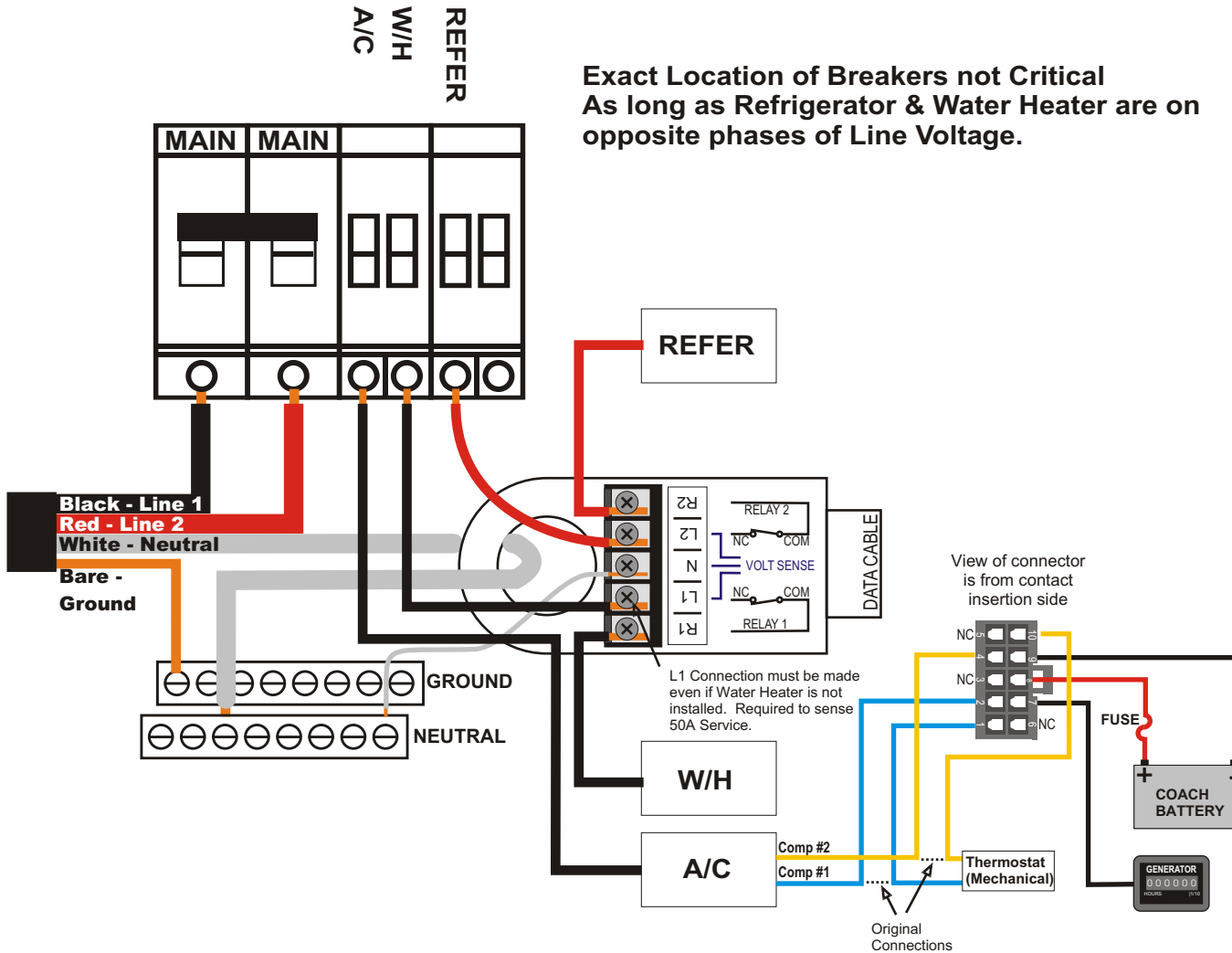


# MINI POWER CONTROL SYSTEM

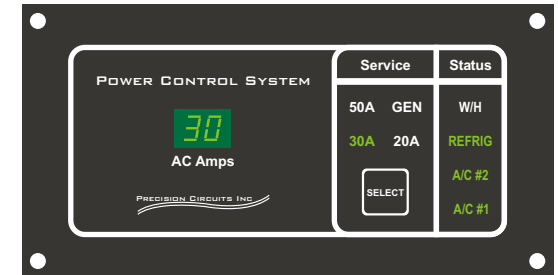
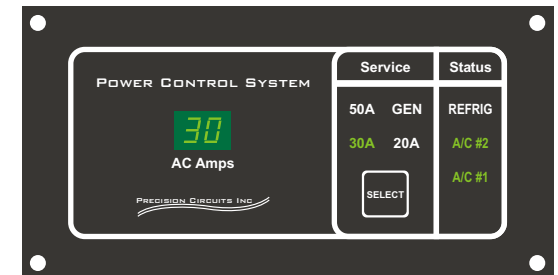


## WINNEBAGO WIRING DIAGRAM REV B (Using Analog Thermostat)

Exact Location of Breakers not Critical  
As long as Refrigerator & Water Heater are on  
opposite phases of Line Voltage.



Program Options:  
Relay Shed Order:  
2-Refrigerator  
4-A/C #2 Compressor  
3-A/C #1 Compressor  
0-(4th Load not Shed)  
50A Service = Enable Sleep Mode  
Generator = Amp Display Only



Program Options:  
Relay Shed Order:  
1-Water Heater  
2-Refrigerator  
4-A/C #2 Compressor  
3-A/C #1 Compressor  
50A Service = Enable Sleep Mode  
Generator = Amp Display Only