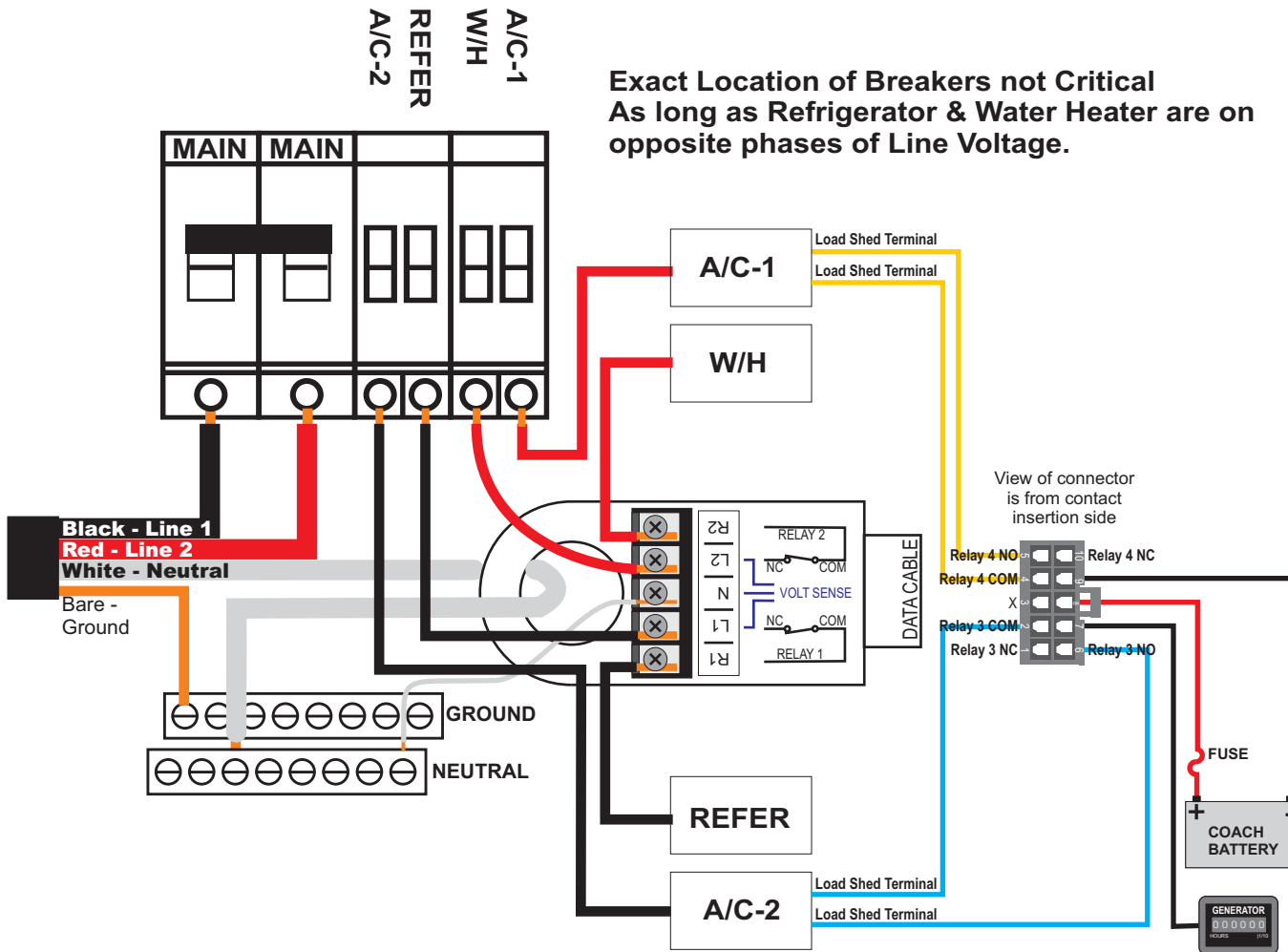


MINI POWER CONTROL SYSTEM



DRV WIRING DIAGRAM REV A (Using Dometic Digital Thermostat)

Exact Location of Breakers not Critical
As long as Refrigerator & Water Heater are on
opposite phases of Line Voltage.



- Program Options:
Relay Shed Order:
1-Refrigerator
2-Water Heater
3-A/C-2 (Bedroom Comp Only)
4-A/C-1 (Living Comp Only)
50A = Sense 50A Service
Blank Amps Display
Energize All Loads
GEN = Display Current
No Load Shed

