

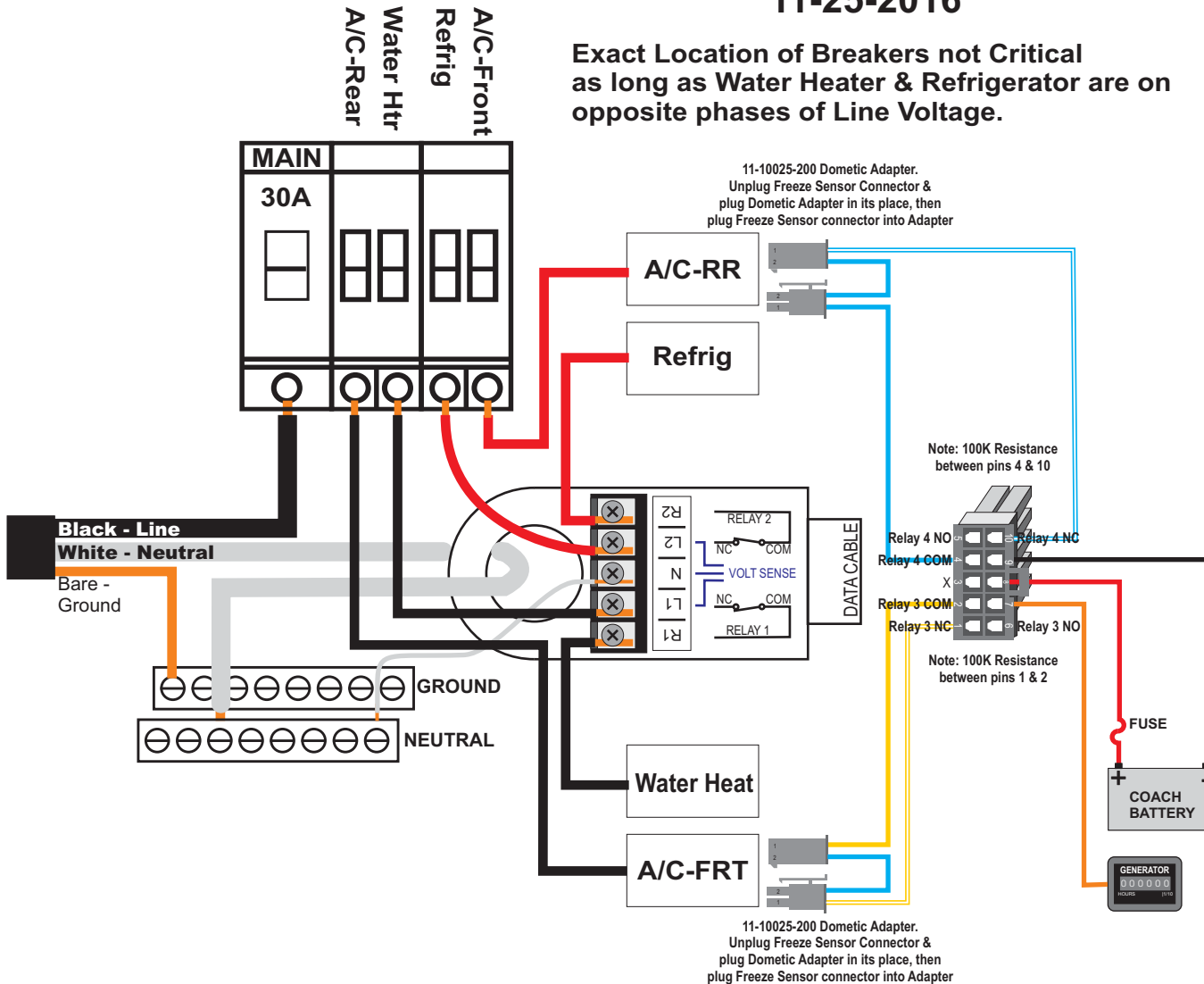
# MIDI POWER CONTROL SYSTEM



## WIRING DIAGRAM Forest River Cherokee 11-25-2016

Exact Location of Breakers not Critical  
as long as Water Heater & Refrigerator are on  
opposite phases of Line Voltage.

Part #: 00-10050-505  
Reference ID: 505WHRFR2AC5.5K161  
Program Options:  
Relay Shed Order:  
1-Water Heater  
2-Refrigerator  
4-A/C-Rear (Comp Only)  
3-A/C-Front (Comp Only)  
5-(Not Installed Relay)  
50A Service = Disable  
GEN = 44A (5500W)  
Current Limit  
Shed Loads



Note:  
This model works with Dometic A/C's.  
100K ohm Resistance exists  
between A/C Common & A/C Normally Closed Contacts.  
Normal operation, A/C contacts are closed and 0 ohms present.  
When Midi-PCS sheds, Relay contacts open and  
100K resistance exists between two wires.  
This system works with Precision Circuits supplied  
adapters for the Dometic A/C.