

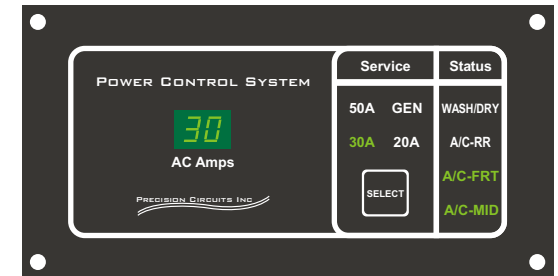
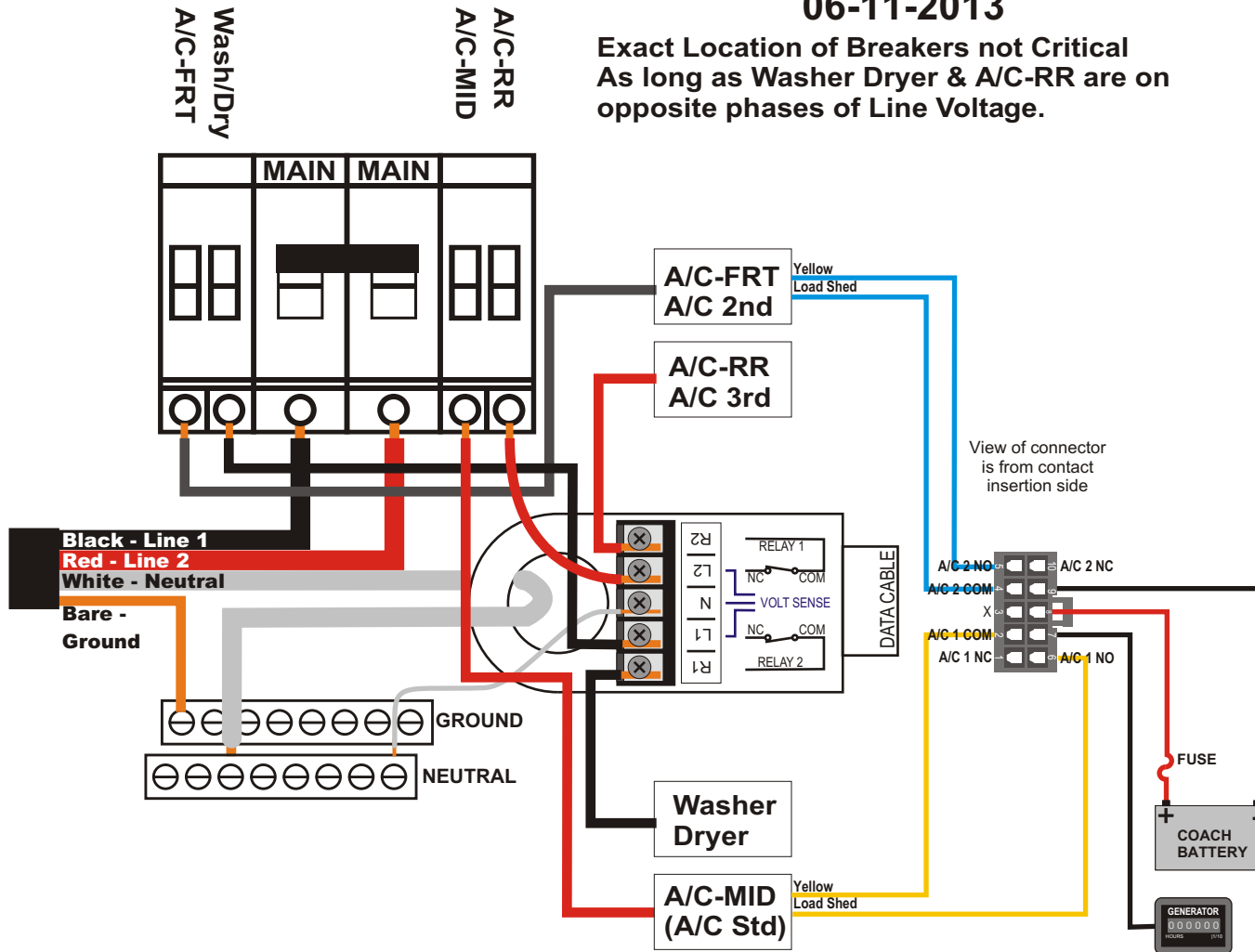
MINI POWER CONTROL SYSTEM



Momentum by Grand Design WIRING DIAGRAM

06-11-2013

Exact Location of Breakers not Critical
As long as Washer Dryer & A/C-RR are on
opposite phases of Line Voltage.



Program Options:
Relay Shed Order:
 1-W/H
 2-A/C-RR
 4-A/C-FRT
 3-A/C-MID
 50A Service = Sleep Mode
 Generator =Shed Limit 44 amps

POWER CONTROL SYSTEM

30

AC Amps

PRECISION CIRCUITS INC

Service

Status

50A GEN

WASH/DRY

30A 20A

A/C-RR

SELECT

A/C-FRT

A/C-MID