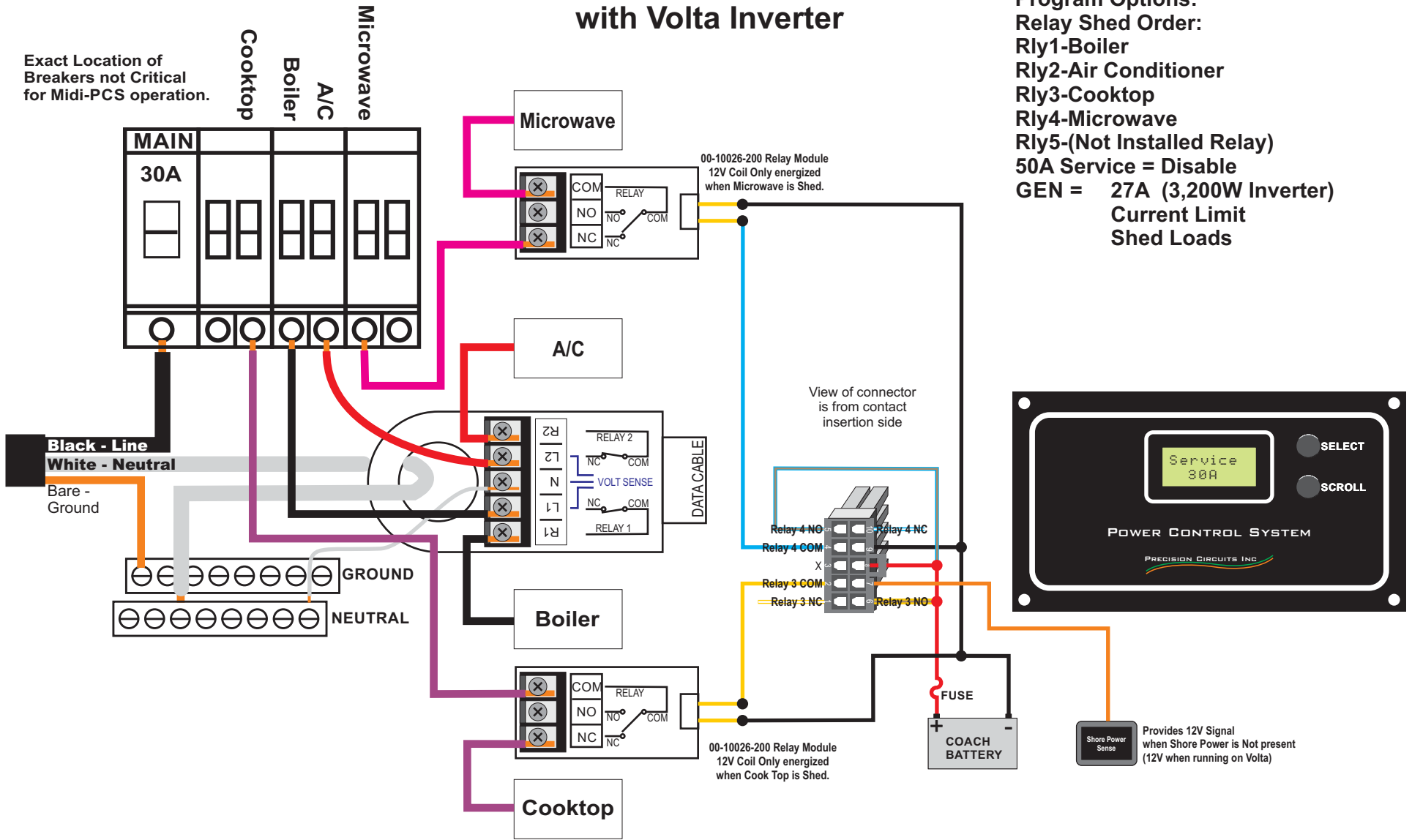


MIDI POWER CONTROL SYSTEM

PRECISION CIRCUITS INC

WIRING DIAGRAM Airstream Interstate 24X with Volta Inverter

Exact Location of Breakers not Critical for Midi-PCS operation.



Part #: 00-10050-628
Reference ID: 628BACCTMC3.2KI221
Program Options:
Relay Shed Order:
Rly1-Boiler
Rly2-Air Conditioner
Rly3-Cooktop
Rly4-Microwave
Rly5-(Not Installed Relay)
50A Service = Disable
GEN = 27A (3,200W Inverter)
Current Limit
Shed Loads

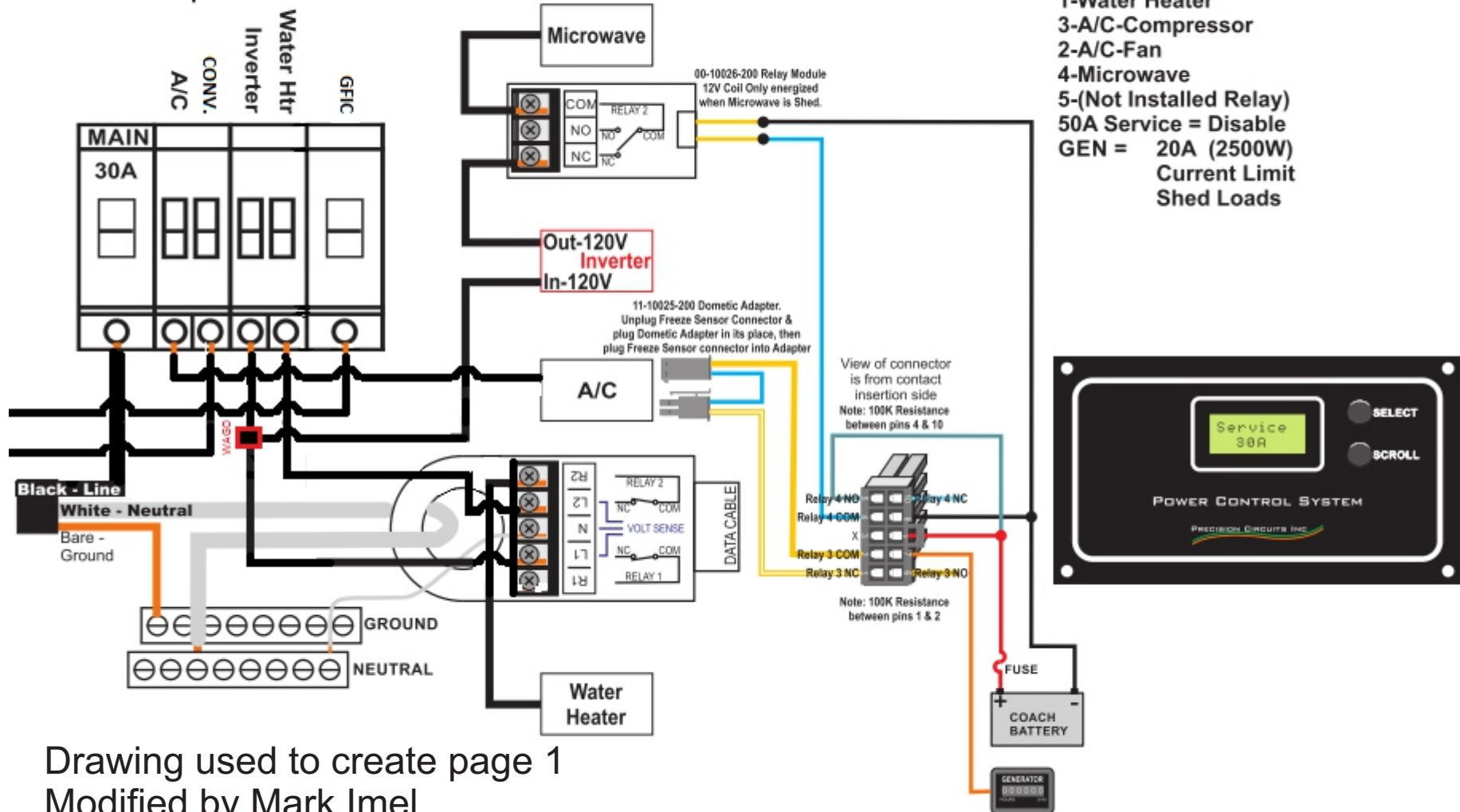
MIDI POWER CONTROL SYSTEM

PRECISION CIRCUITS INC

Exact Location of Breakers not Critical for Midi-PCS operation.

WIRING DIAGRAM Airstream Interstate 02-10-2018

Part #: 00-10050-625
Reference ID: 625WHACMIC2.5KW181
Program Options:
Relay Shed Order:
1-Water Heater
3-A/C-Compressor
2-A/C-Fan
4-Microwave
5-(Not Installed Relay)
50A Service = Disable
GEN = 20A (2500W)
Current Limit
Shed Loads



Drawing used to create page 1
Modified by Mark Imel