

MINI POWER CONTROL SYSTEM

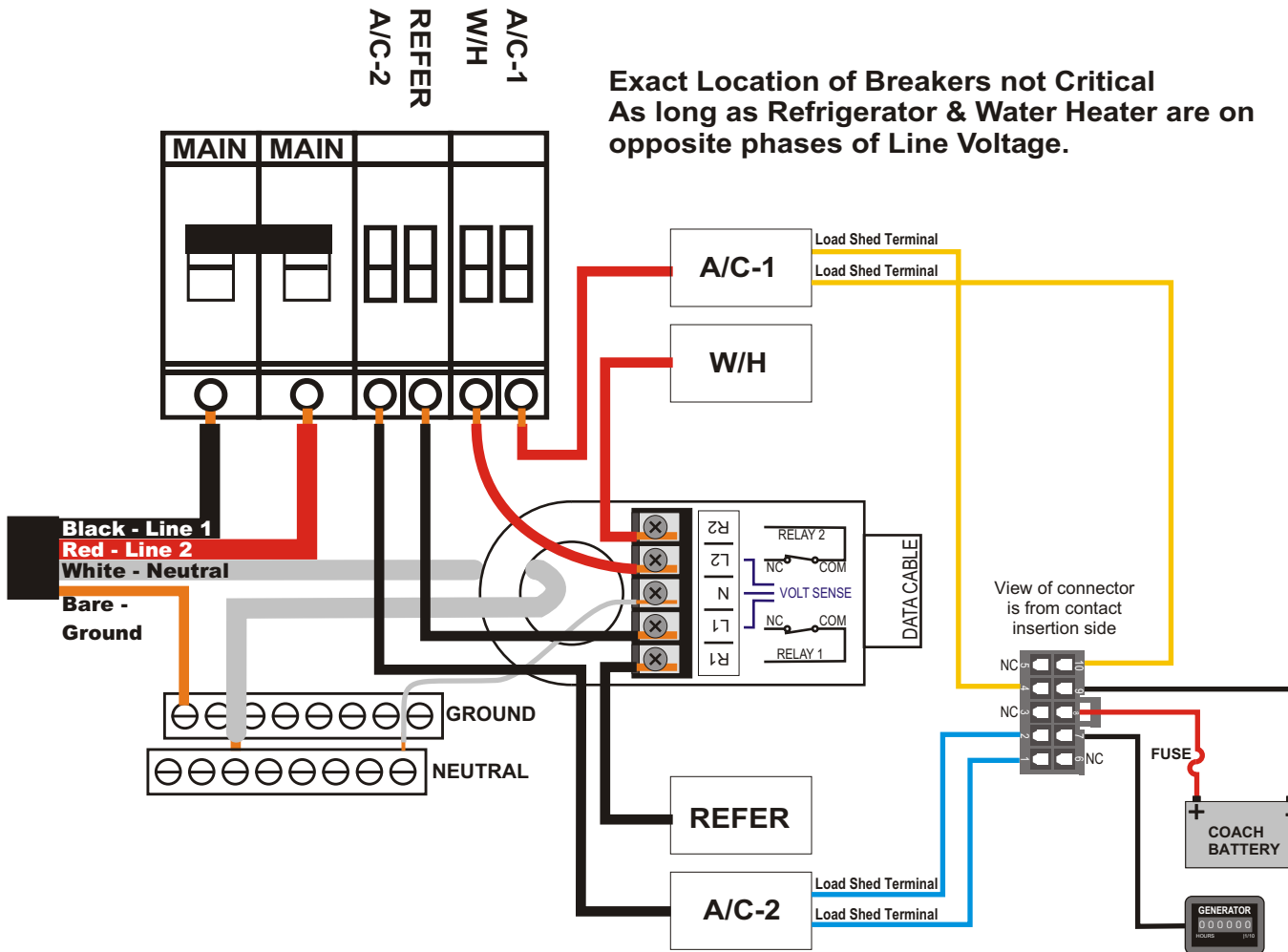


DRV WIRING DIAGRAM

REV A

(Using Dometic Digital Thermostat)

Exact Location of Breakers not Critical
As long as Refrigerator & Water Heater are on
opposite phases of Line Voltage.



Program Options:

Relay Shed Order:

- 1-Refrigerator
- 2-Water Heater
- 3-A/C-2 (Bedroom Comp Only)
- 4-A/C-1 (Living Comp Only)
- 50A = Sense 50A Service
- Blank Amps Display
- Energize All Loads
- GEN = Display Current
- No Load Shed

