

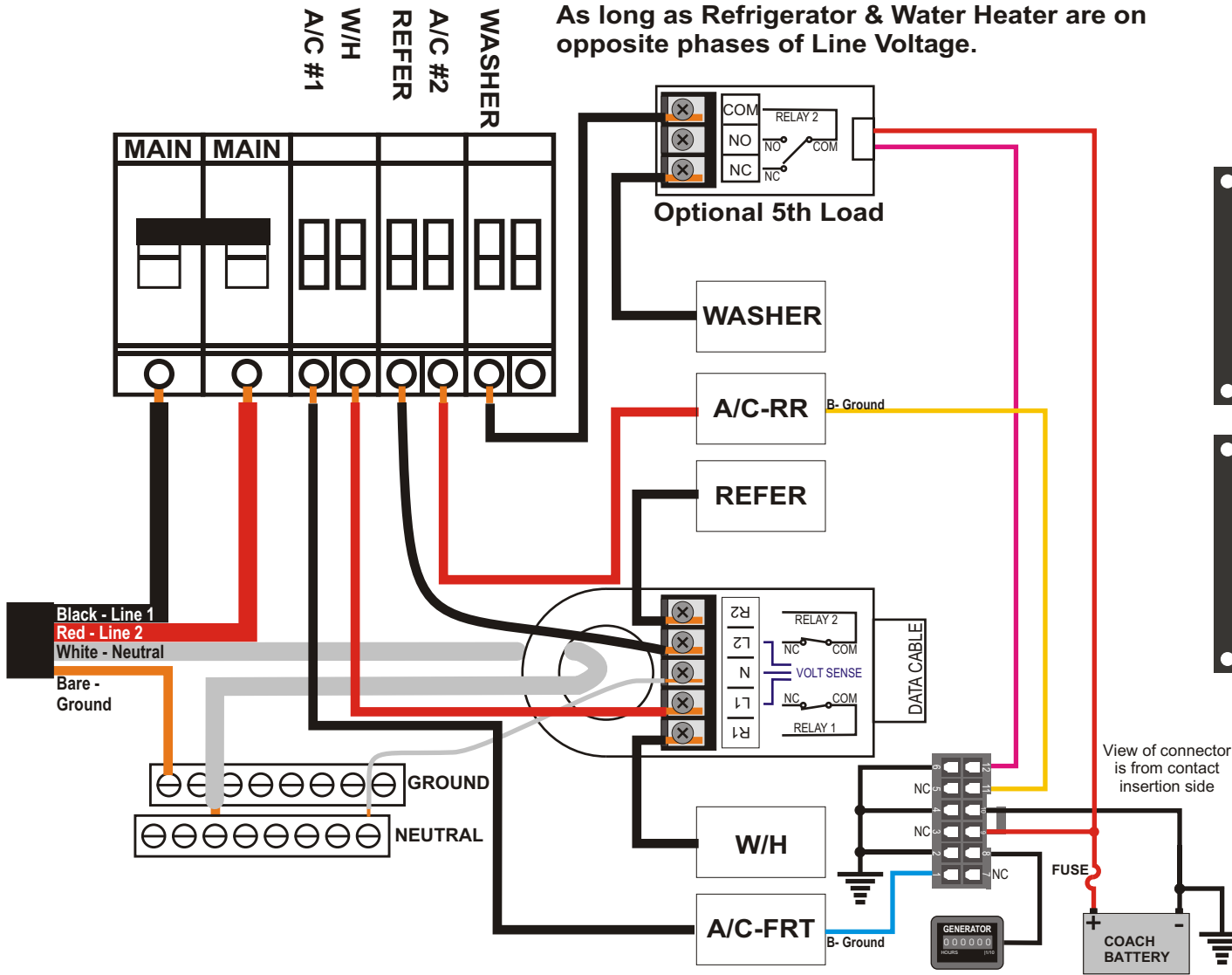
MINI POWER CONTROL SYSTEM



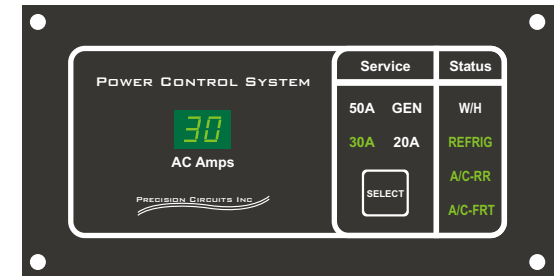
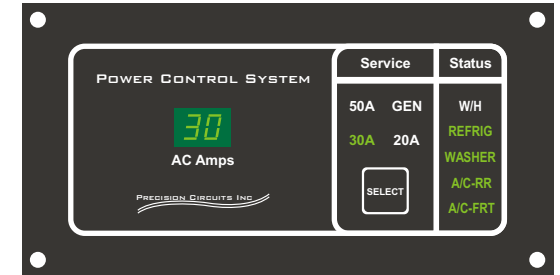
FLEETWOOD WIRING DIAGRAM

JAN 25, 2011

Exact Location of Breakers not Critical
As long as Refrigerator & Water Heater are on
opposite phases of Line Voltage.



Program Options:
 Relay Shed Order:
 1-Water Heater
 2-Refrigerator
 5-Washer
 4-A/C-RR (Rear) Comp
 3-A/C-FRT (Front) Comp
 50A Service = Enable Sleep Mode
 Generator = Blank Display



Program Options:
 Relay Shed Order:
 1-Water Heater
 2-Refrigerator
 4-A/C-RR (Rear) Comp & Fan
 3-A/C-FRT (Front) Comp & Fan
 5-No Shed
 50A Service = Enable Sleep Mode
 Generator = Blank Display