

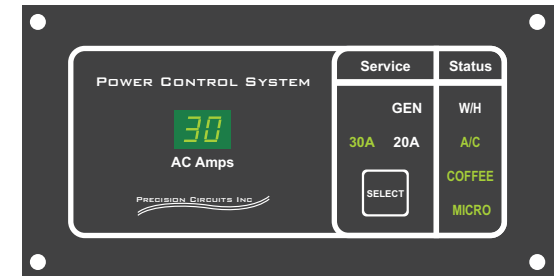
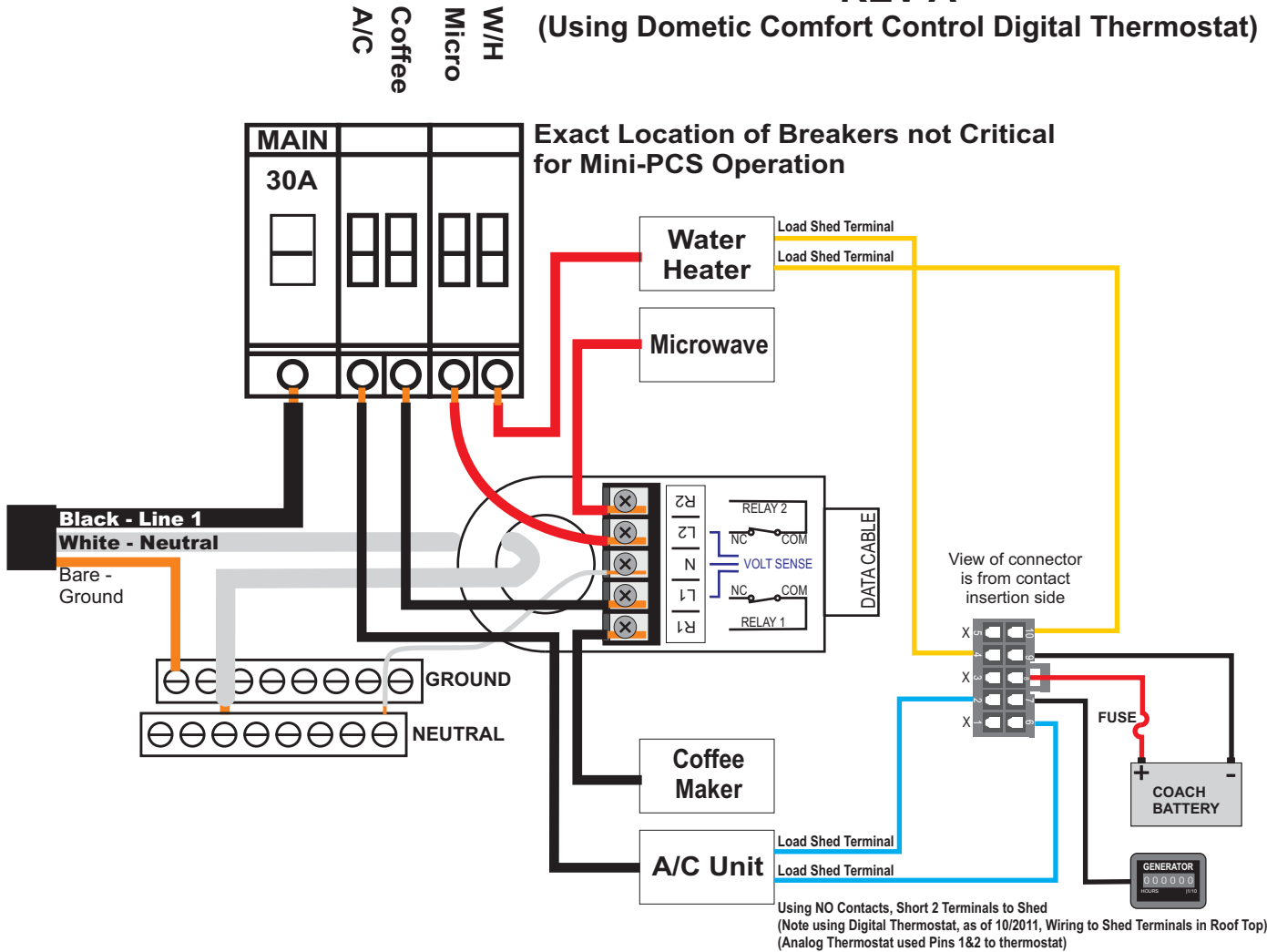
MINI POWER CONTROL SYSTEM



AIRSTREAM WIRING DIAGRAM REV A

(Using Dometic Comfort Control Digital Thermostat)

Model 600
 Program Options:
 Relay Shed Order:
 4-Water Heater
 3-A/C (Compressor Only)
 1-Coffee Maker
 2-Microwave
 50A = Ignore 50A Service
 GEN = 20A Current Limit
 Shed Loads



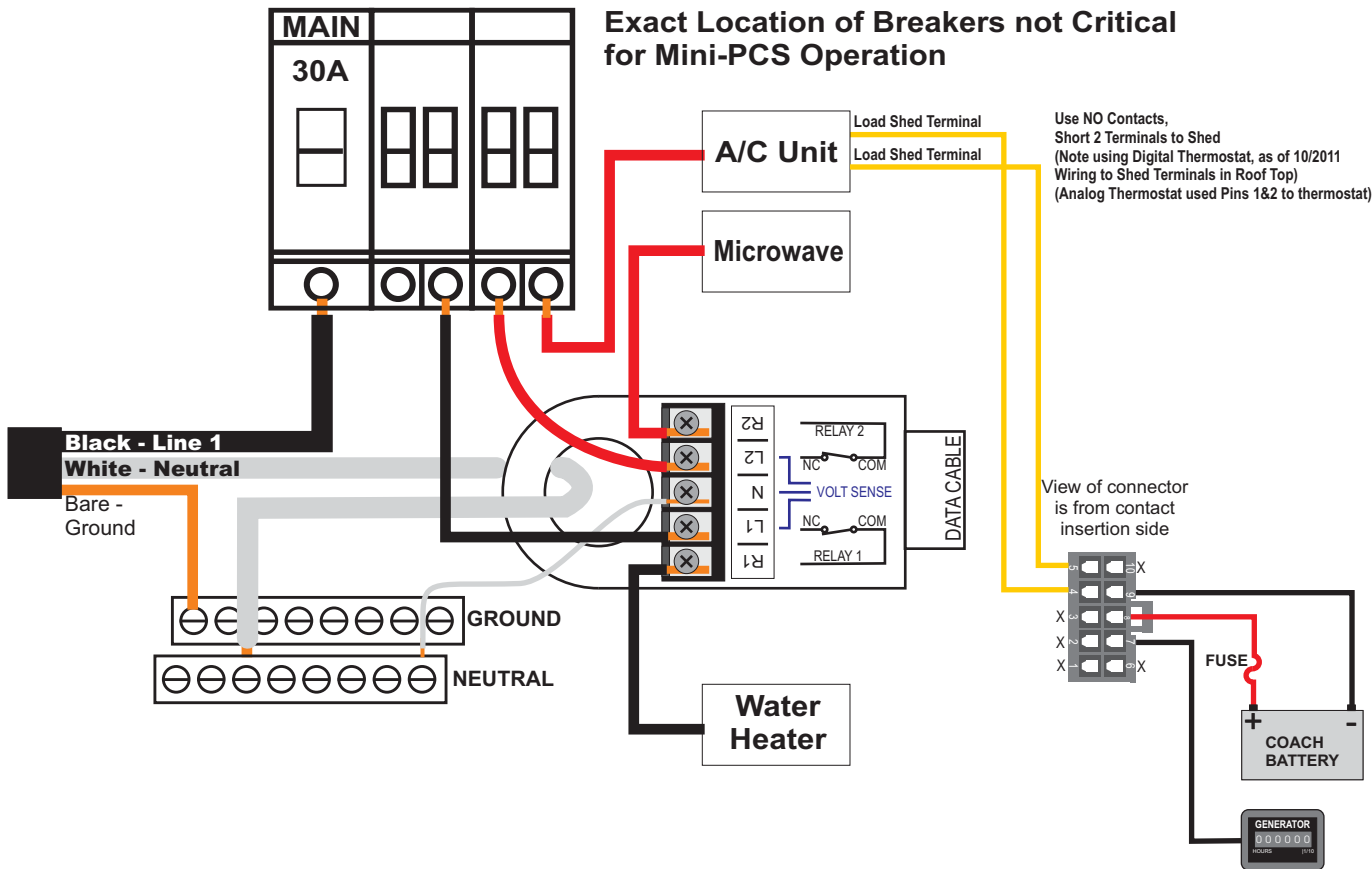
MINI POWER CONTROL SYSTEM



AIRSTREAM WIRING DIAGRAM REV A

(Using Dometic Comfort Control Digital Thermostat)

W/H
Micro
A/C



Model 610
Program Options:
Relay Shed Order:
1-Water Heater
4-A/C (Compressor Only)
2-Microwave
3- (Not Used)
50A = Ignore 50A Service
GEN = 22A Current Limit
Shed Loads

Model 611 (Same Label)
Program Options:
Relay Shed Order:
4-Water Heater
3-A/C (Compressor Only)
2-Microwave
0- (Not Used)
50A = Ignore 50A Service
GEN = 20A Current Limit
Shed Loads

