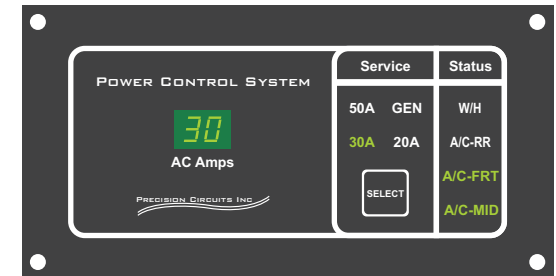
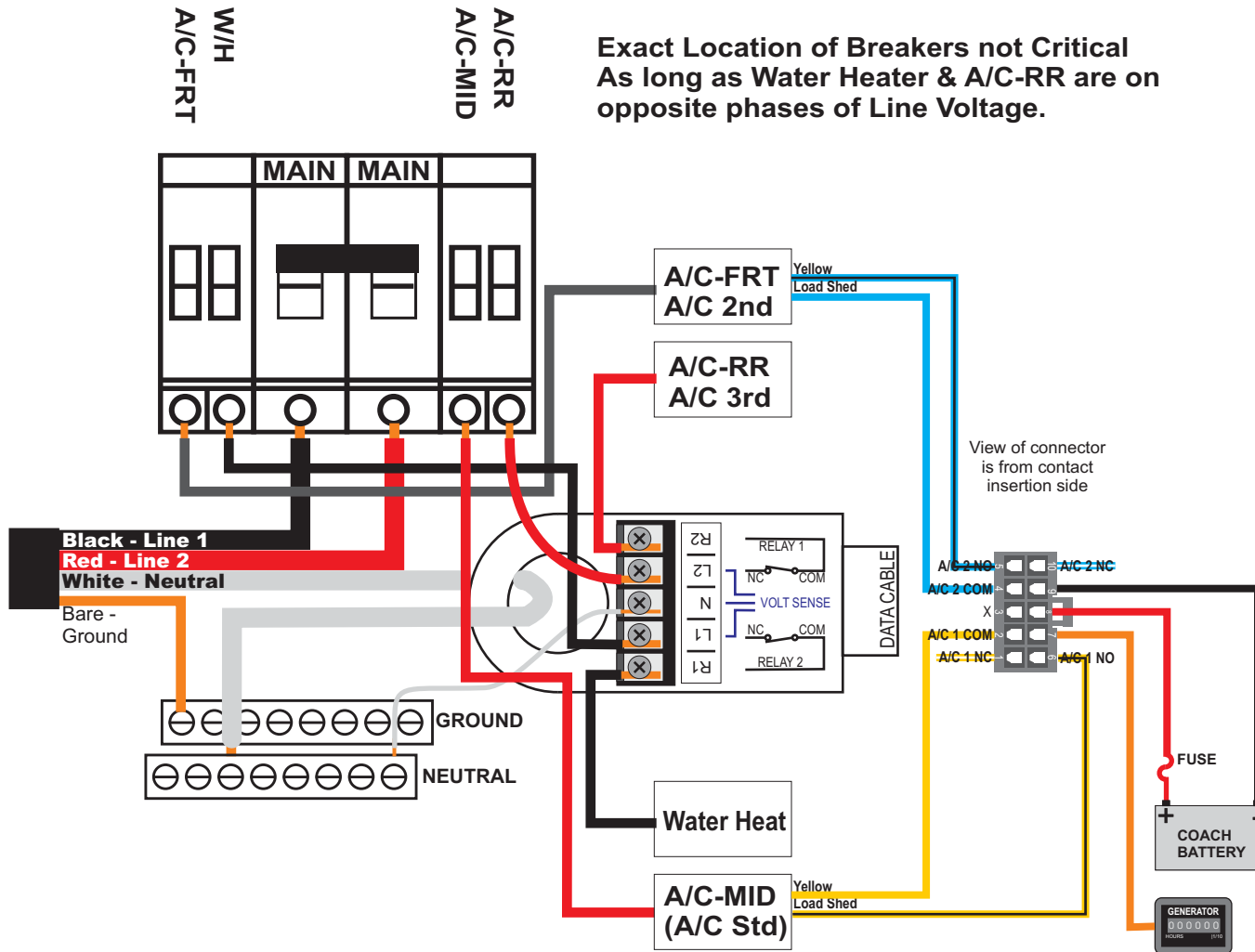


MINI POWER CONTROL SYSTEM



DUTCHMEN WIRING DIAGRAM 10-13-2014

Exact Location of Breakers not Critical
As long as Water Heater & A/C-RR are on
opposite phases of Line Voltage.



Program Options:
Relay Shed Order:
 1-W/H
 2-A/C-RR
 4-A/C-FRT
 3-A/C-MID
 50A Service = Sleep Mode
 GEN = 44A Current Limit
 Shed Loads