

MINI POWER CONTROL SYSTEM

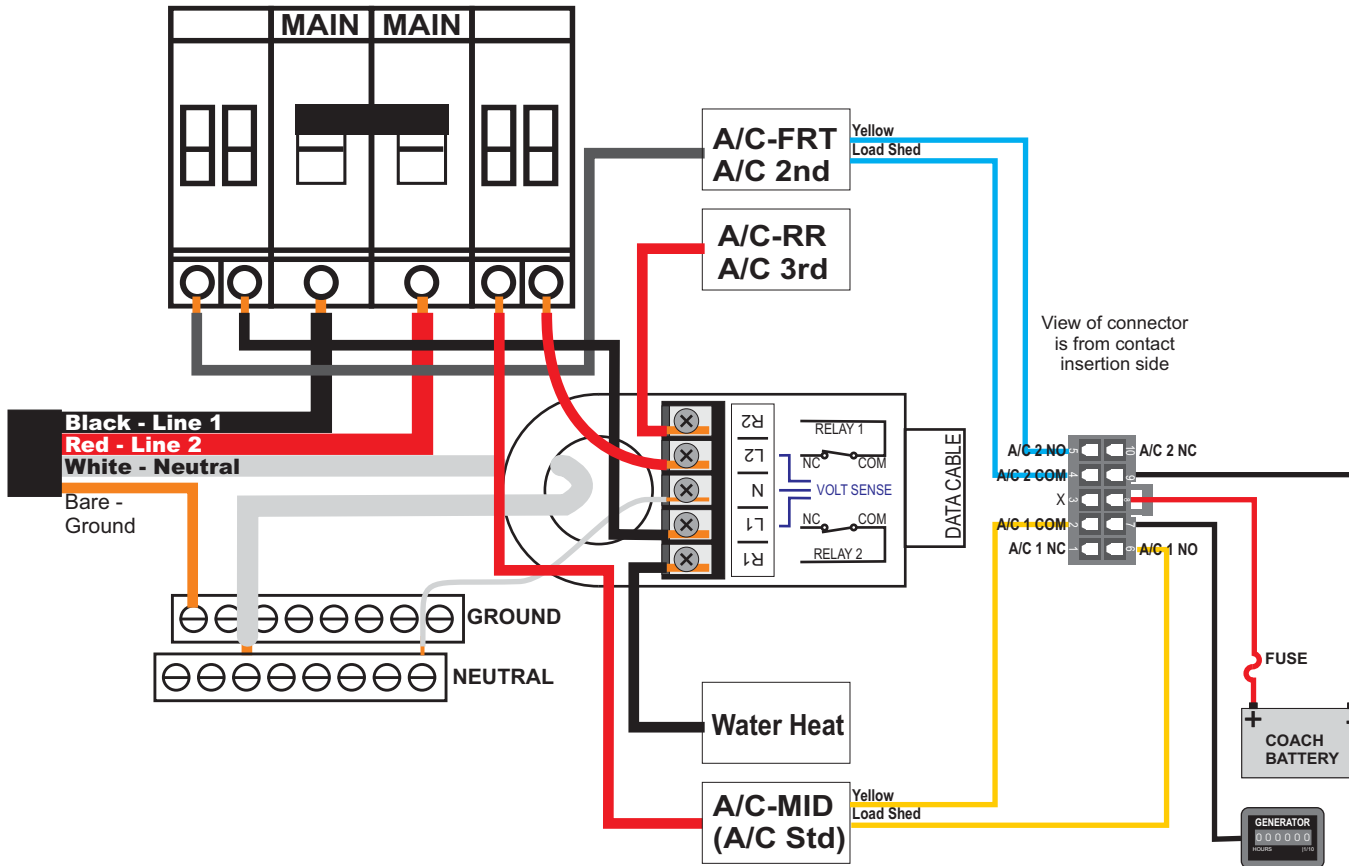
PRECISION CIRCUITS INC

FOREST RIVER WIRING DIAGRAM

03-10-2014

A/C-FRT
W/H
A/C-MID
A/C-RR

Exact Location of Breakers not Critical
As long as Water Heater & A/C-RR are on
opposite phases of Line Voltage.



00-10025-350

Program Options:

Relay Shed Order:

1-W/H

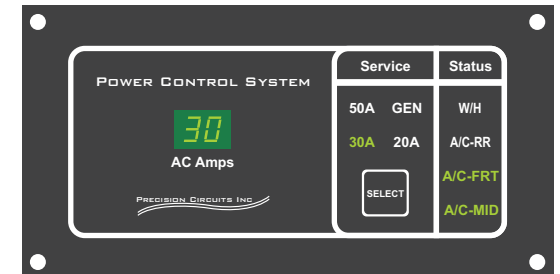
2-A/C-RR

4-A/C-FRT

3-A/C-MID

50A Service = Sleep Mode

Generator = 44 Amps



00-10025-351

Program Options:

Relay Shed Order:

1-W/H

2-A/C-RR

4-A/C-FRT

3-A/C-MID

50A Service = Sleep Mode

Generator = 32 Amps