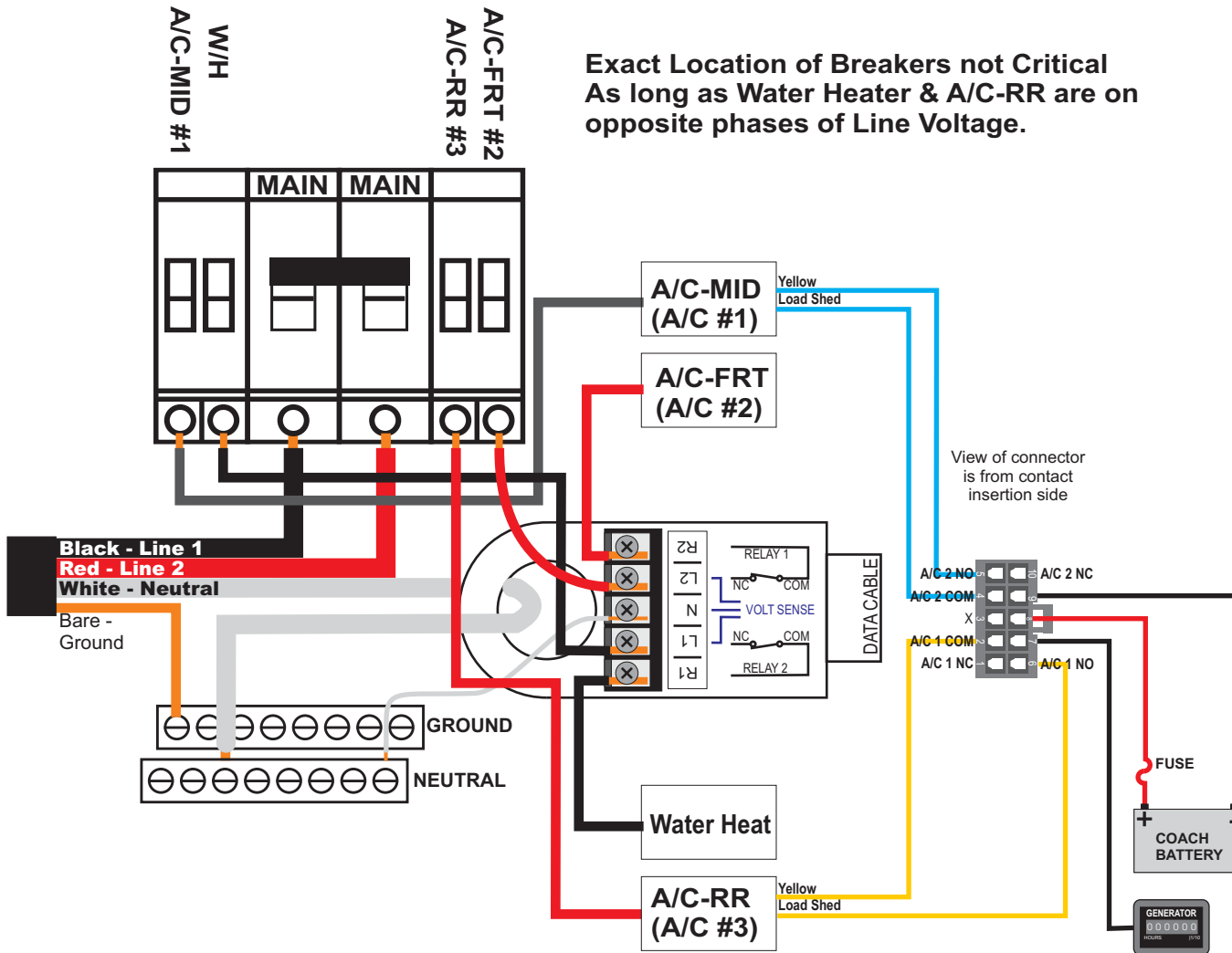


MINI POWER CONTROL SYSTEM



FOREST RIVER WIRING DIAGRAM 03-11-2014

Exact Location of Breakers not Critical
As long as Water Heater & A/C-RR are on
opposite phases of Line Voltage.



00-10025-351

Program Options:

Relay Shed Order:

1-W/H

3-A/C-RR

2-A/C-FRT

4-A/C-MID

50A Service = Sleep Mode

Generator = 44 Amps

