

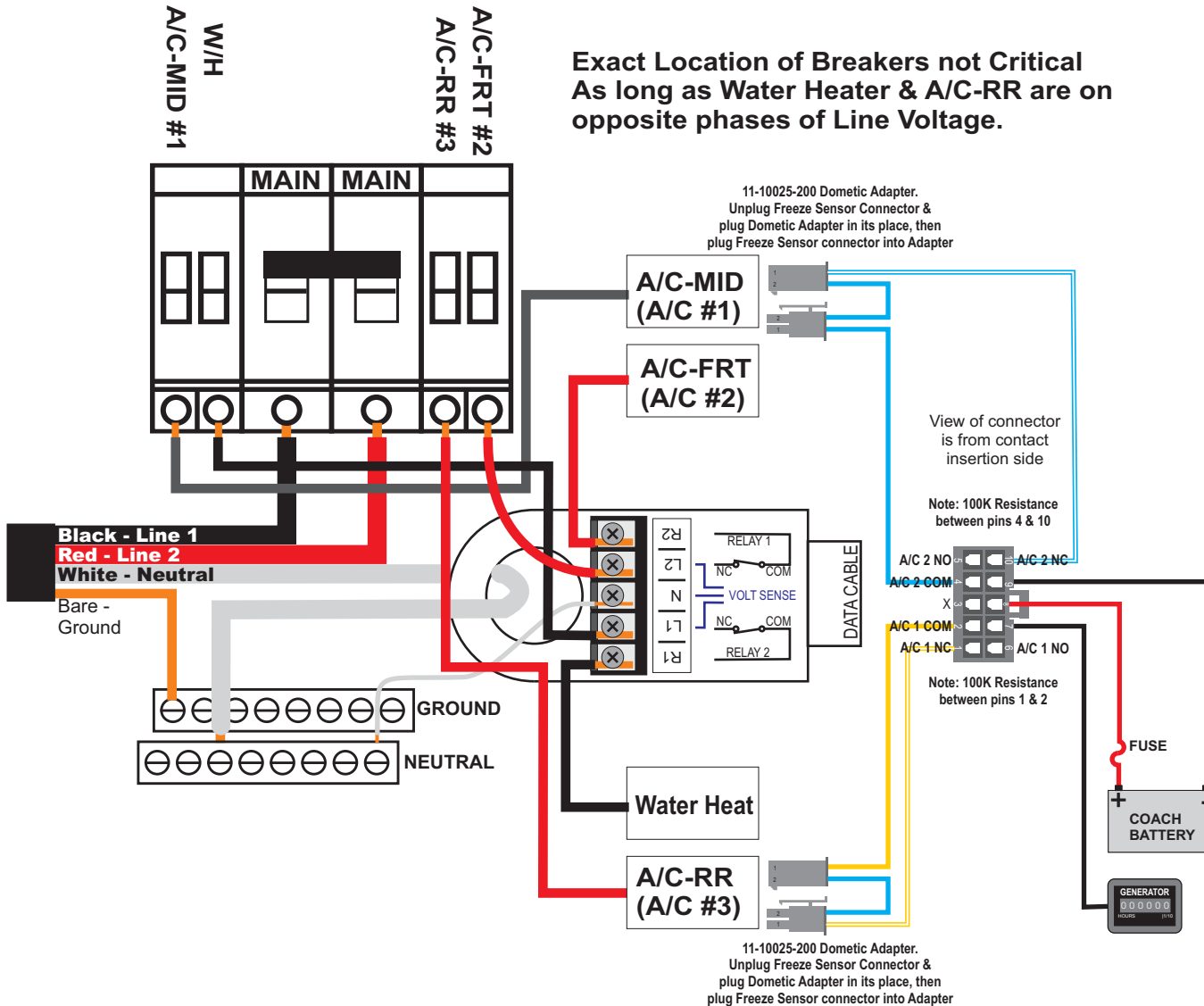
MINI POWER CONTROL SYSTEM

PRECISION CIRCUITS INC

FOREST RIVER WIRING DIAGRAM

03-25-2014

Exact Location of Breakers not Critical
As long as Water Heater & A/C-RR are on
opposite phases of Line Voltage.



00-10025-351

Program Options:

Relay Shed Order:

1-W/H

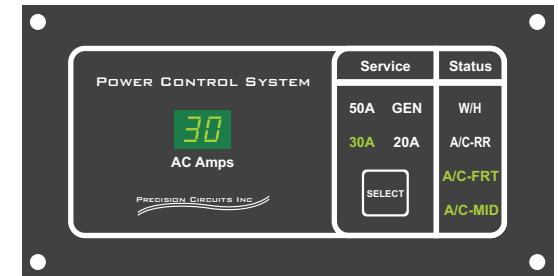
3-A/C-RR

2-A/C-FRT

4-A/C-MID

50A Service = Sleep Mode

Generator = 44 Amps



Note:
This model has works with Dometic A/C's.
100K ohm Resistance exists
between A/C Common & A/C Normally Closed Contacts.
Normal operation, A/C contacts are closed and 0 ohms present.
When Mini-PCS sheds, Relay contacts open and
100K resistance exists between two wires.
This system works with Precision Circuits supplied
adapters for the Dometic A/C.