

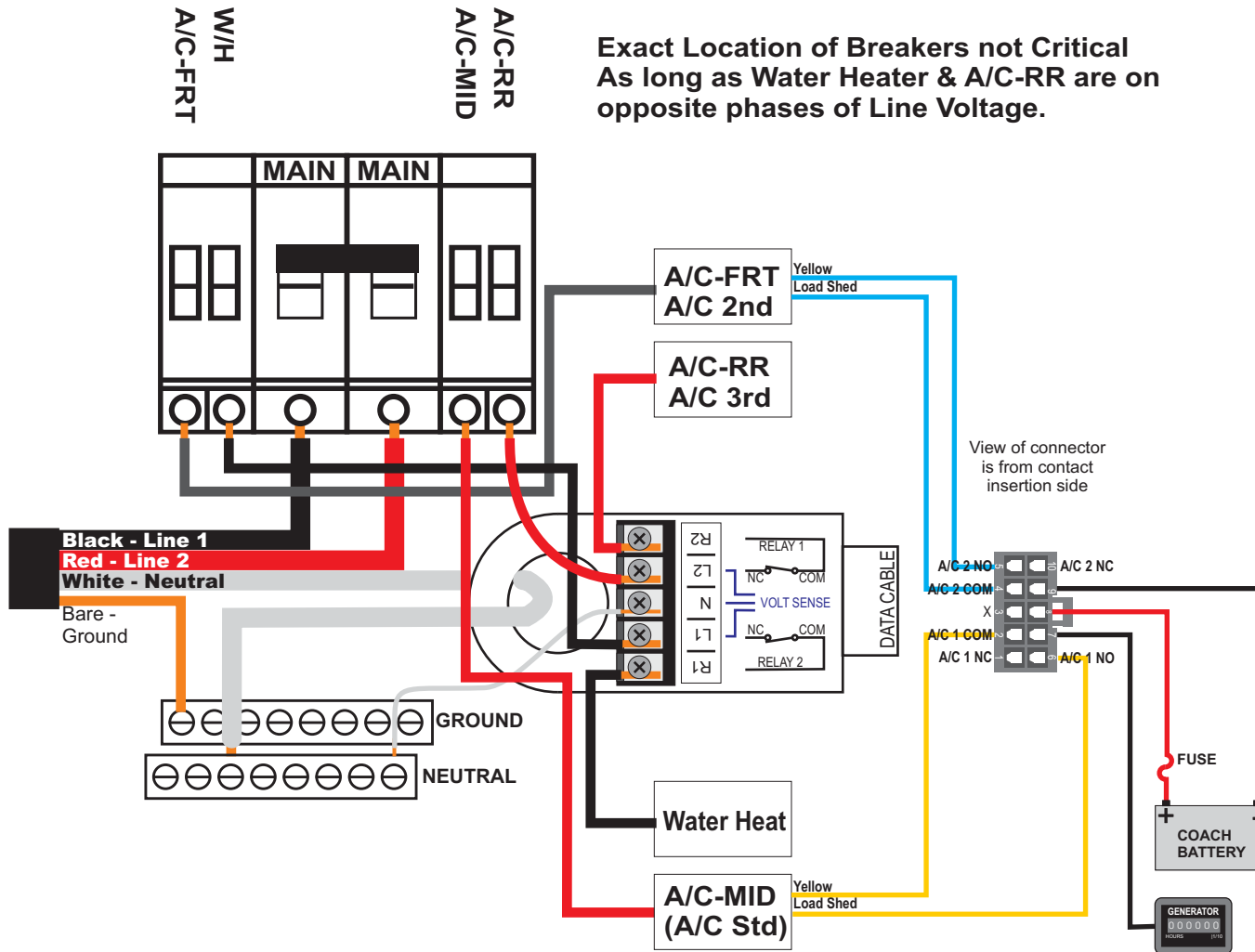
MINI POWER CONTROL SYSTEM



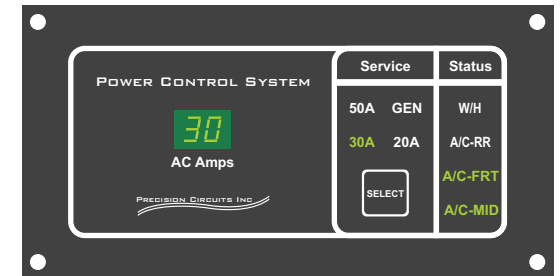
JAYCO WIRING DIAGRAM 8/01/2014

Exact Location of Breakers not Critical
As long as Water Heater & A/C-RR are on
opposite phases of Line Voltage.

Program Options:
Relay Shed Order:
Relay 1 - W/H
Relay 2 - A/C-RR
Relay 4 - A/C-FRT
Relay 3 - A/C-MID
50A Service = Sleep Mode
Generator = Blank Display



View of connector
is from contact
insertion side



00-10025-355