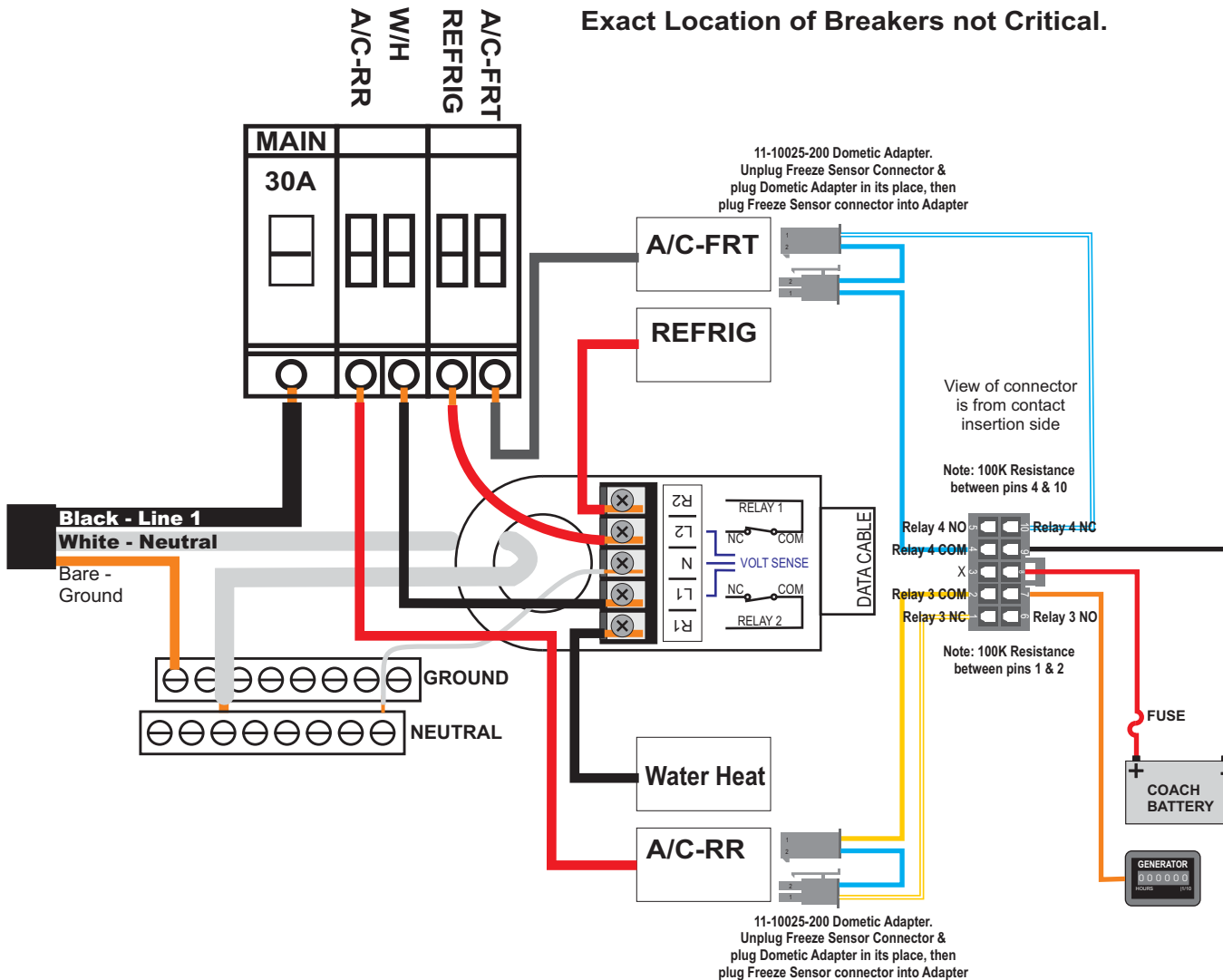


MINI POWER CONTROL SYSTEM

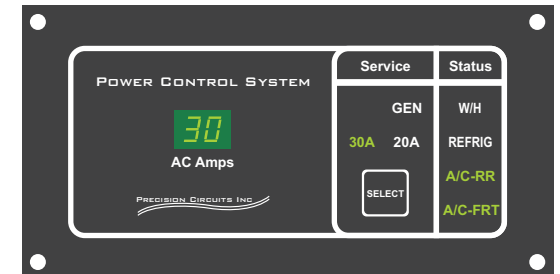


FOREST RIVER WIRING DIAGRAM 09-29-2014

Exact Location of Breakers not Critical.



00-10025-505
Program Options:
Relay Shed Order:
1-W/H
2-REFRIG
3-A/C-RR
4-A/C-FRT
50A Service = Ignore
Generator = 44 Amps



Note:
This model has works with Dometic A/C's.
100K ohm Resistance exists between A/C Common & A/C Normally Closed Contacts.
Normal operation, A/C contacts are closed and 0 ohms present.
When Mini-PCS sheds, Relay contacts open and 100K resistance exists between two wires.
This system works with Precision Circuits supplied adapters for the Dometic A/C.