

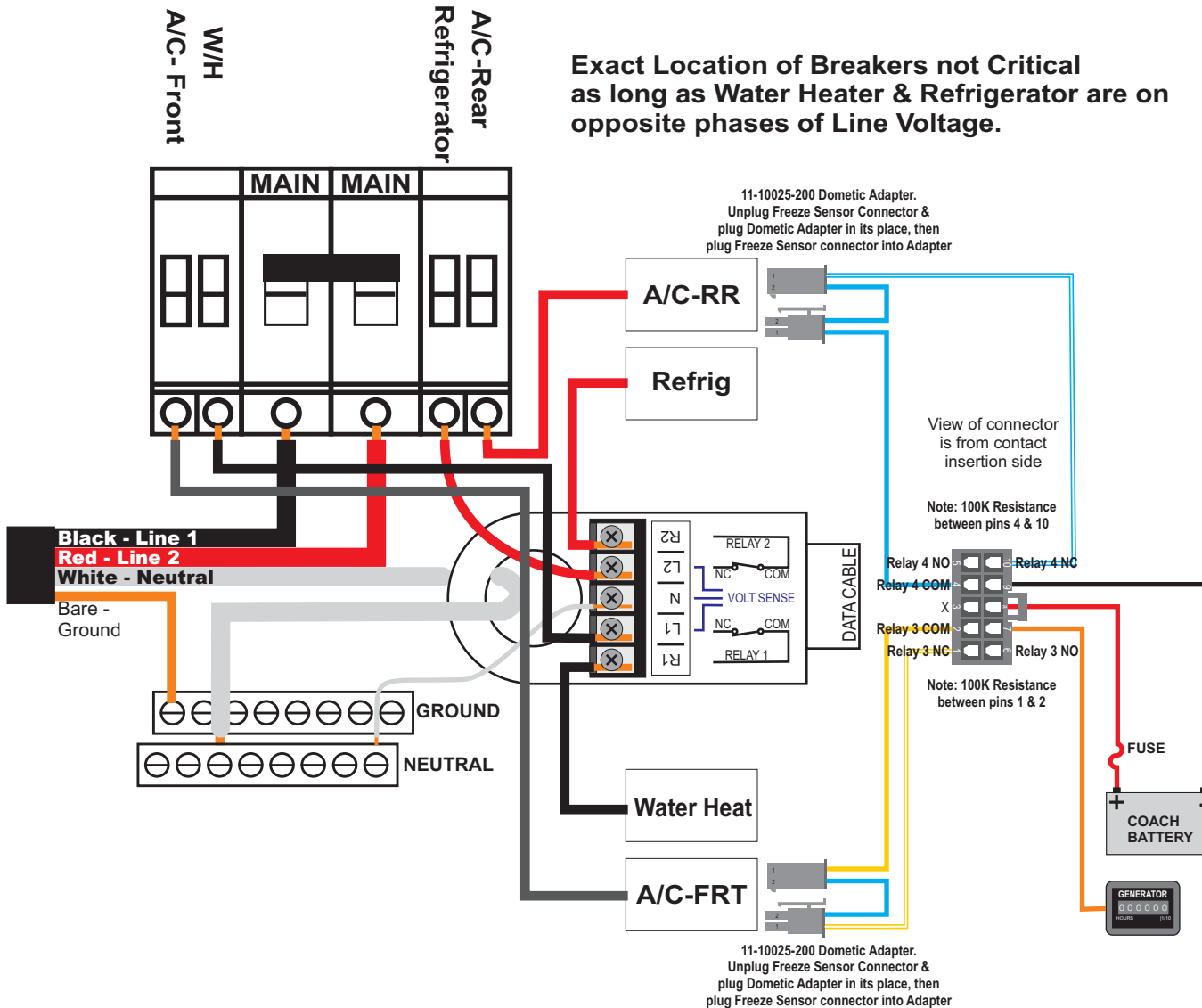
MINI POWER CONTROL SYSTEM

PRECISION CIRCUITS INC

BISON WIRING DIAGRAM

5-7-2015

Exact Location of Breakers not Critical
as long as Water Heater & Refrigerator are on
opposite phases of Line Voltage.



00-10025-570

Program Options:

Relay Shed Order:

1-Water Heater

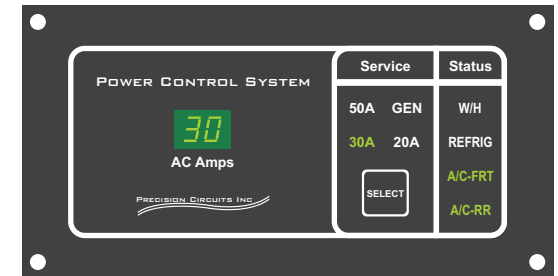
2- Refrigerator

3-A/C-Front

4-A/C-Rear

50A Service = Sleep Mode

Generator = 44 Amps



Note:
This model has works with Dometic A/C's.
100K ohm Resistance exists
between A/C Common & A/C Normally Closed Contacts.
Normal operation, A/C contacts are closed and 0 ohms present.
When Mini-PCS sheds, Relay contacts open and
100K resistance exists between two wires.
This system works with Precision Circuits supplied
adapters for the Dometic A/C.